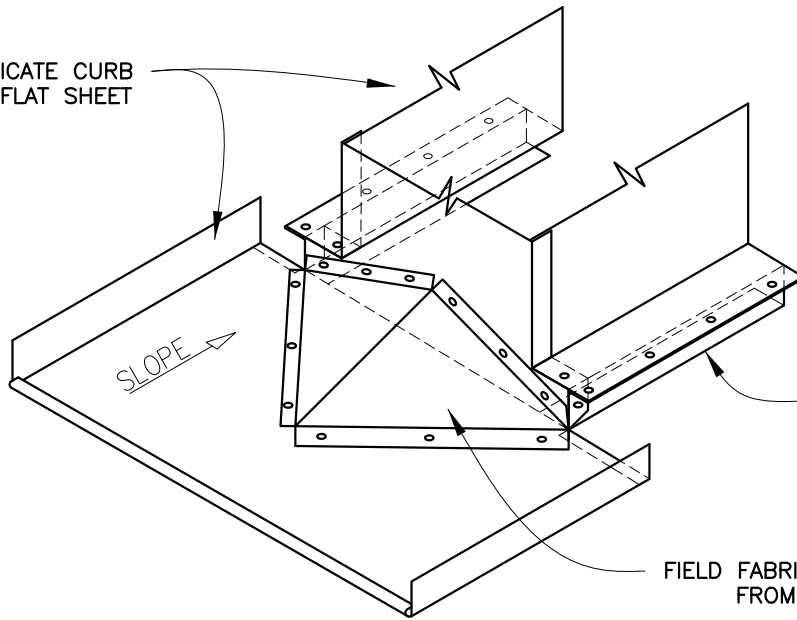
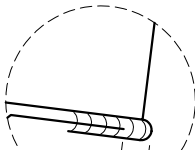


FIELD FABRICATE CURB
FLASHINGS FROM FLAT SHEET



STANDARD ZEE
CLOSURE

FIELD FABRICATE CRICKET
FROM FLAT SHEETS



EQUIPMENT TRIM
(NOT BY AEP-SPAN)

CLEARANCE FOR
THERMAL MOVEMENT
PER CALCULATIONS

FASTENER
(NOT BY AEP-SPAN)

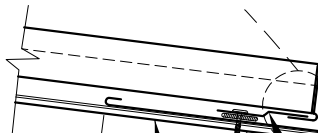
CRICKET TO BE
FIELD FABRICATED
FROM FLAT STOCK

FIELD FABRICATED
HEADWALL TRIM

1/8" RIVET
@ 12" O.C.

FASTENER
(NOT BY AEP-SPAN)

8" MIN



6"

18"

JOGGLE CLEAT
(#JC095)

3/16" x 7/8" CONTINUOUS
DOUBLE BEAD BUTYL TAPE

FIELD FABRICATED
HALF VALLEY TRIM

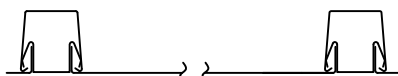
SUBSTRATE

FASTENERS

ZEE
CLOSURE



SELECT SEAM
WIDE BATTEN



ROOF CURB (UPHILL /
DOWNHILL DETAIL)

SSWB-17